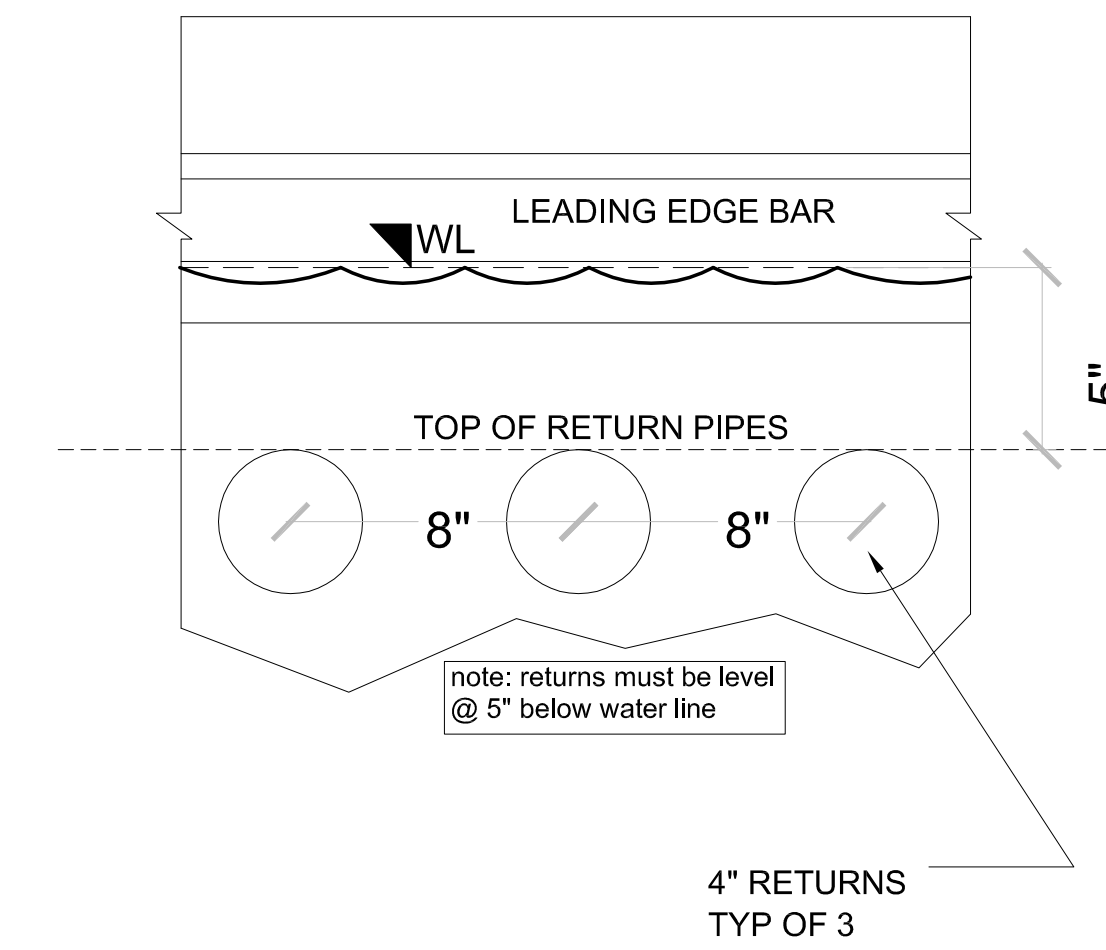


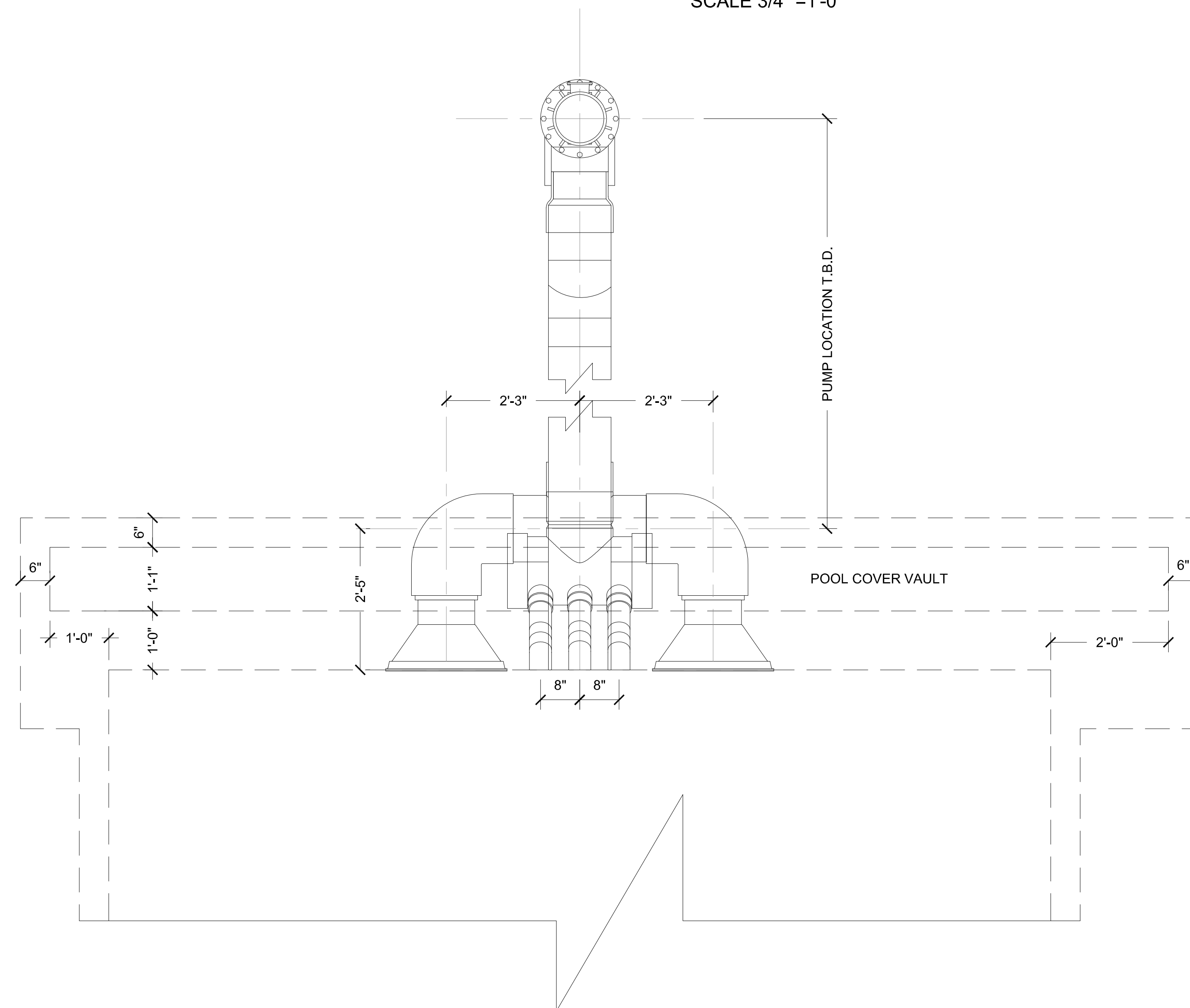
SWIM POOL SYSTEM (SIDE VIEW)

SCALE 3/4" = 1'-0"



SWIM POOL RETURNS (FRONT VIEW)

SCALE N.T.S.



SWIM POOL SYSTEM (TOP VIEW)

SCALE 3/4" = 1'-0"

PARTS LIST: LAZY RIVER SYSTEM		
	1 x	10HP PUMP MOTOR
	1 x	RIVERFLOW PUMP
	2 x	DUAL SUCTION BOX
	1 x	12" X 4" TEE ACCELERATOR NOZZLE
	1 x	(VFD) VARIABLE FREQUENCY DRIVE
	2x	12" 45° ELBOW
	3x	4" 45° ELBOW
	3x	4" 11.25° ELBOW
	3x	4" 90° SWEEP ELBOW
	2x	12" X 10" RED. COUPLING
	1 x	12" TEE
	1 x	12" 90° ELBOW
	2 x	10" 90° ELBOW
	2 x	12" X 10" REDUCING BUSHING

BOX DENOTES COMPONENTS INCLUDED IN RIVERFLOW SYSTEM

ADDITIONAL REQUIRED ITEMS NOT INCLUDED

SHEET TITLE:  
PUMP LAYOUTS

PROJECT NAME:  
RIVERFLOW SWIMPRO  
INSTALLATION  
(AUTOMATIC POOL COVER)

888-443-4113 Toll Free  
954-889-0311 Direct  
954-827-2800 Fax  
"Your Moving Water Solution"  
& Manufacturer of YGB Grates  
www.current-systems.com



REVISION DATE(S)	
JOB #:	
SCALE:	AS NOTED
CHECKED BY:	
DRAWN BY:	MCK
	04 / 13 / 18
SHEET NO.:	1 OF 1