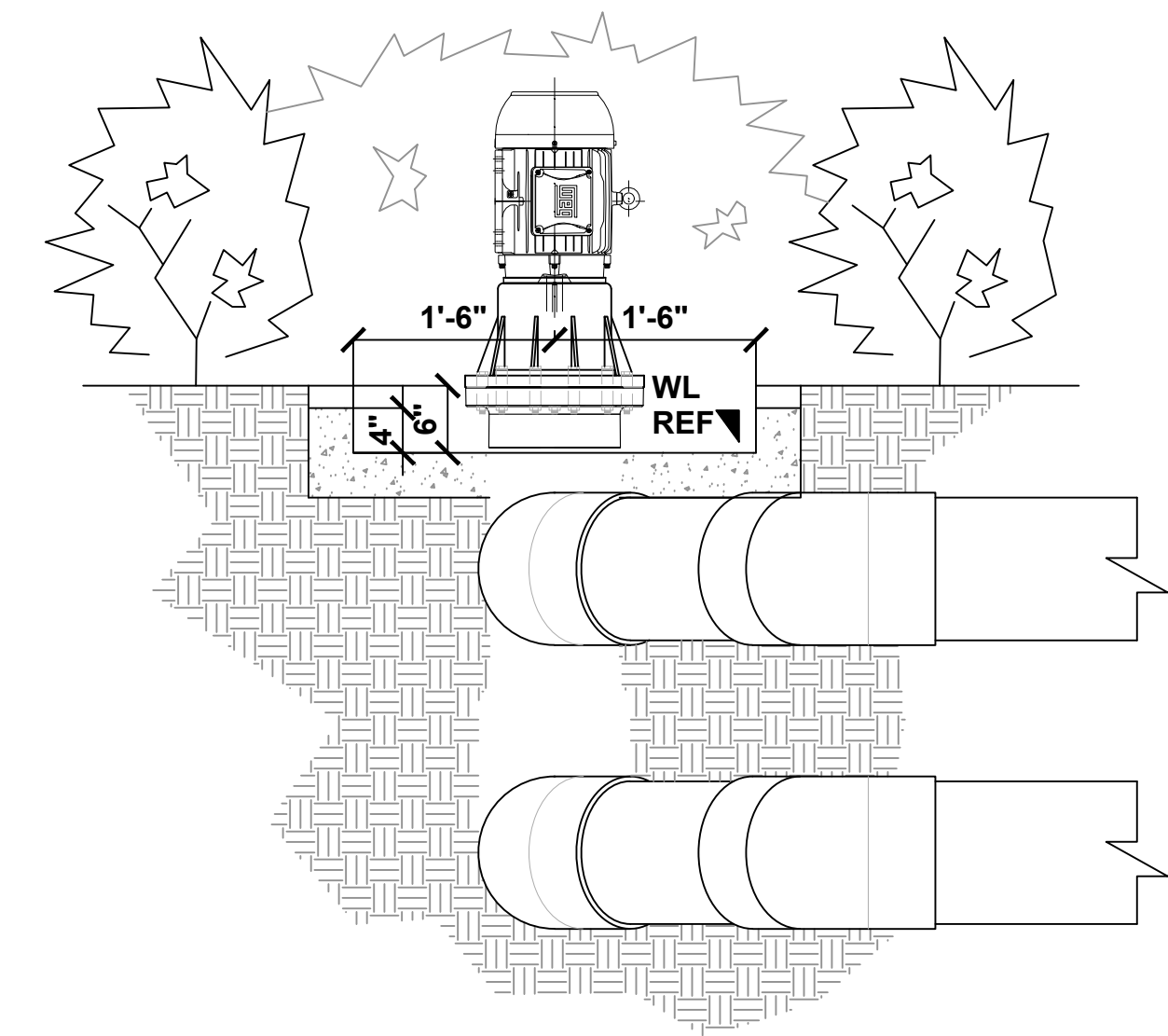


LANDSCAPE SCREEN AROUND PUMP
LEAVE OPENING FOR ACCESS OUT OF VIEW



PUMP LANDSCAPE SCREEN
SCALE 3/4" = 1'-0"

SHEET TITLE:
LAZY RIVER / PUMP
LAYOUT

PROJECT NAME:
SYLVAN / PICKETT
RIVERFLOW PUMP
4FT DEEP LAZY RIVER

888-443-4113 Toll Free
954-889-0311 Direct
954-827-2800 Fax
"Your Moving Water Solution"
& Manufacturer of VGB Grates
www.current-systems.com



REVISION DATE(S)

JOB #:

SCALE:
AS NOTED

CHECKED BY:

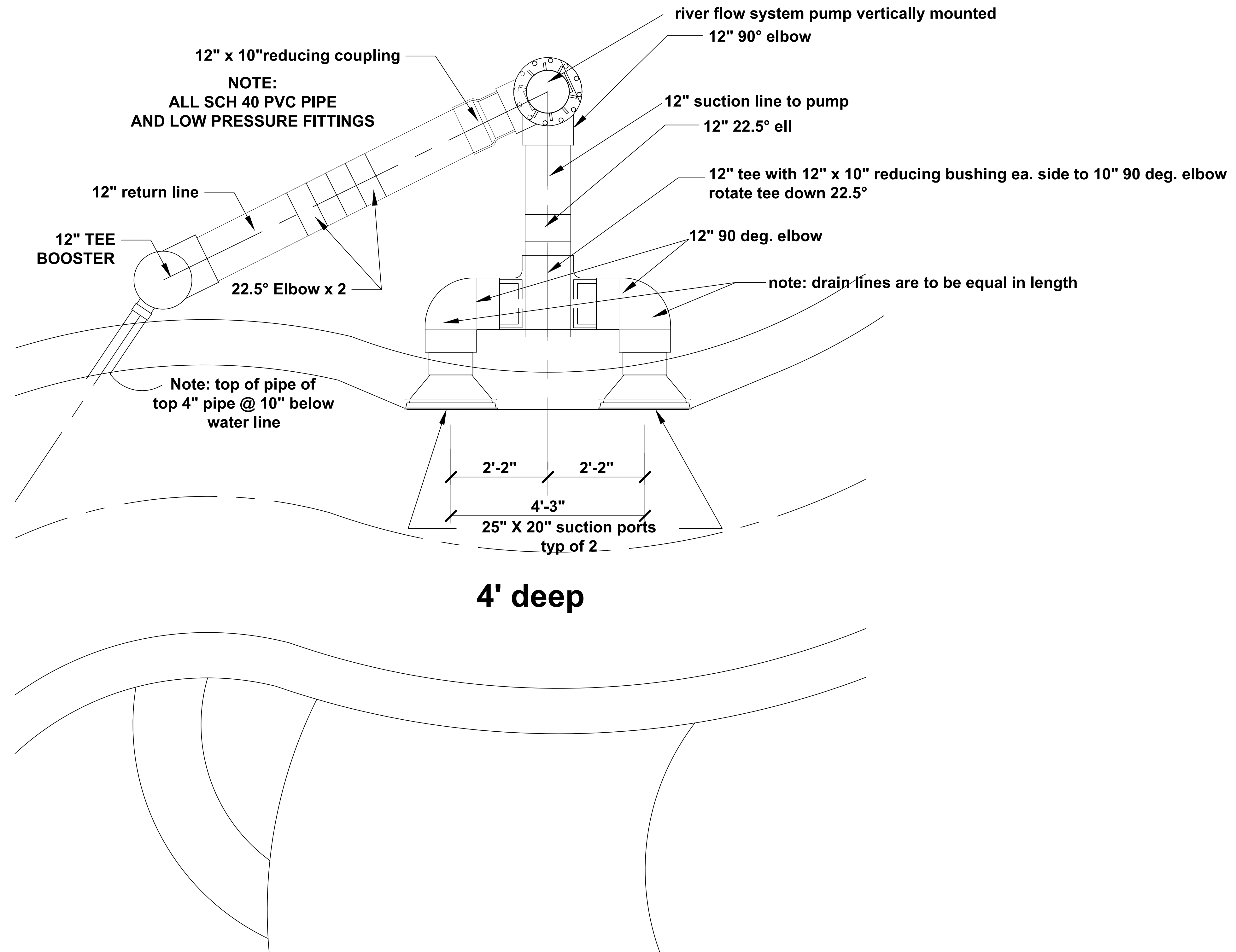
DRAWN BY:
MCK

08 / 25 / 2020

SHEET NO.:

1 OF 5

**RIVER FLOW PUMP WITH
FLOODED SUCTION
OPERATING PRESSURE
LESS THAN 5 PSI**



**NOTE:
ALL SCH 40 PVC PIPE
AND LOW PRESSURE FITTINGS**

note: drain lines are to be equal in length

Note: top of pipe of
top 4" pipe @ 10" below
water line

LAZY RIVER PUMP LAYOUT
SCALE 3/4" = 1'-0"

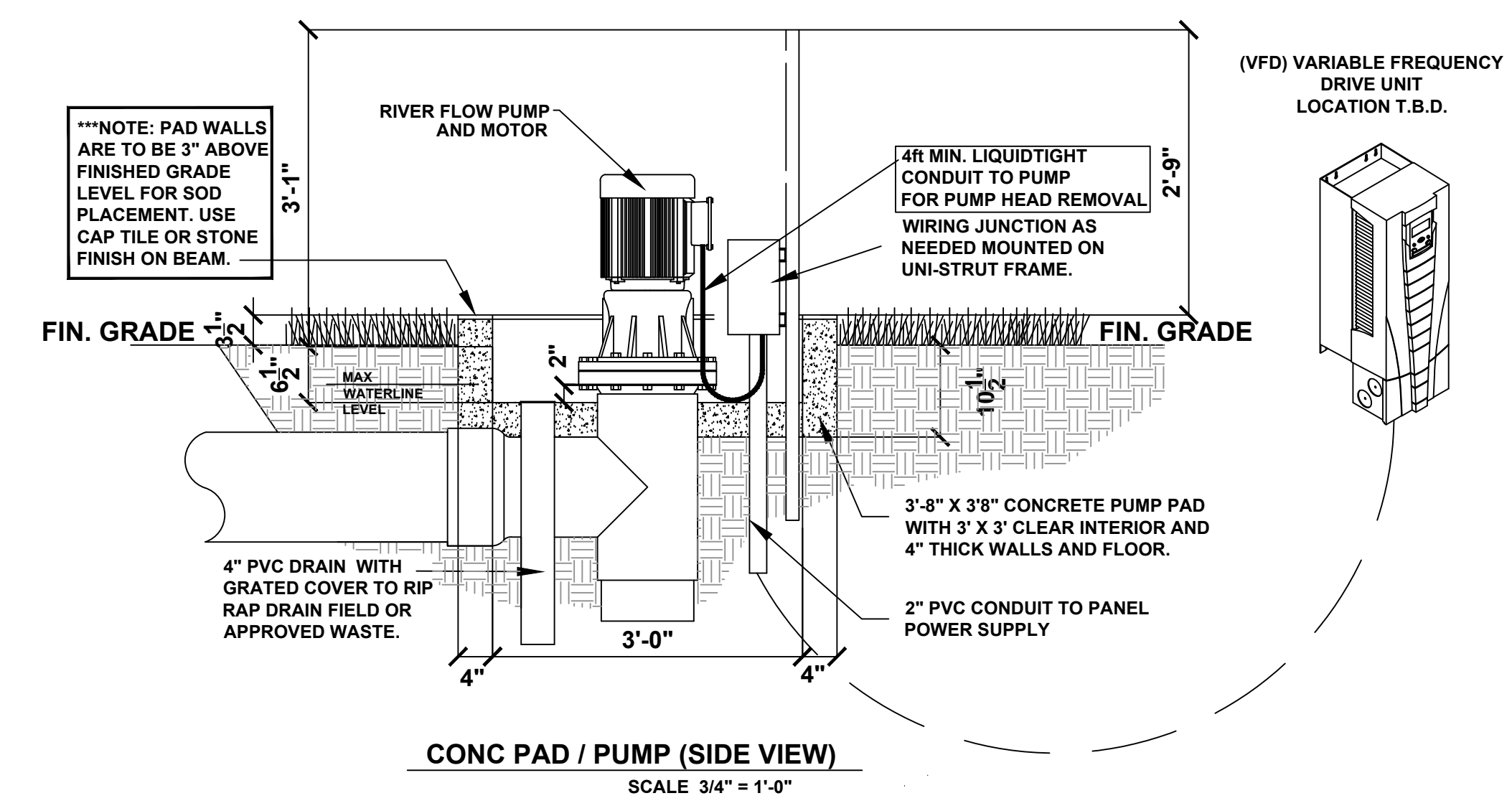
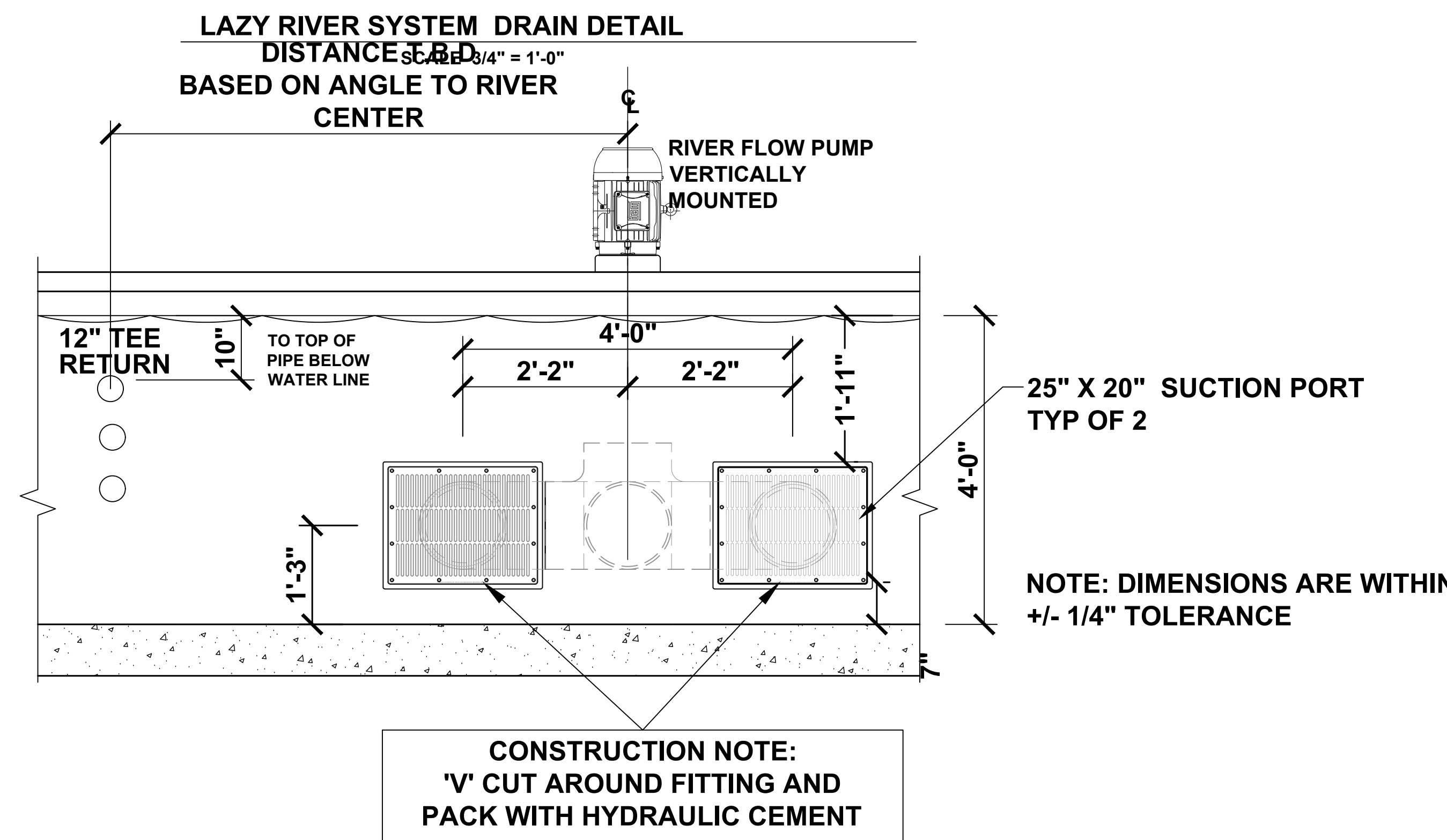
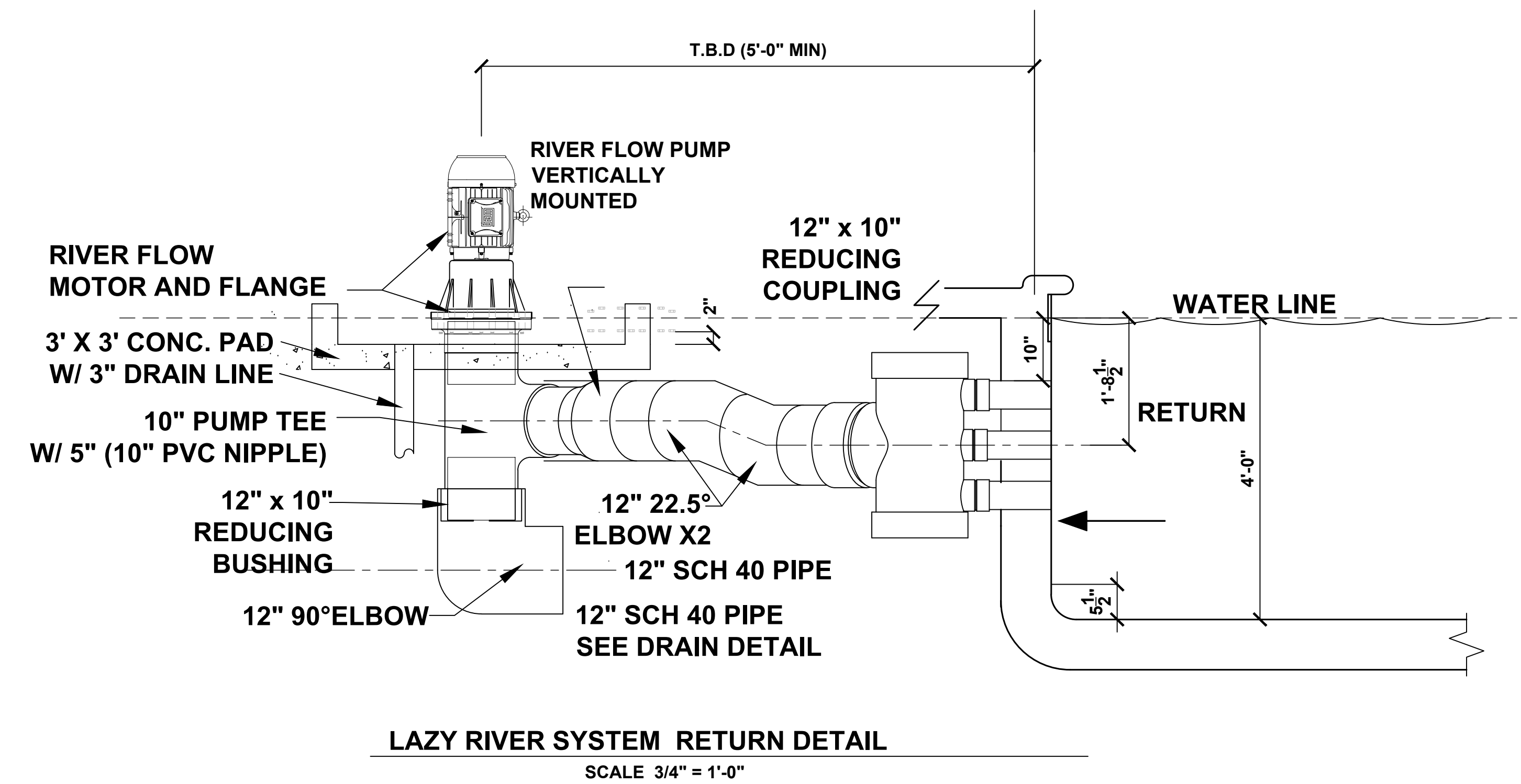
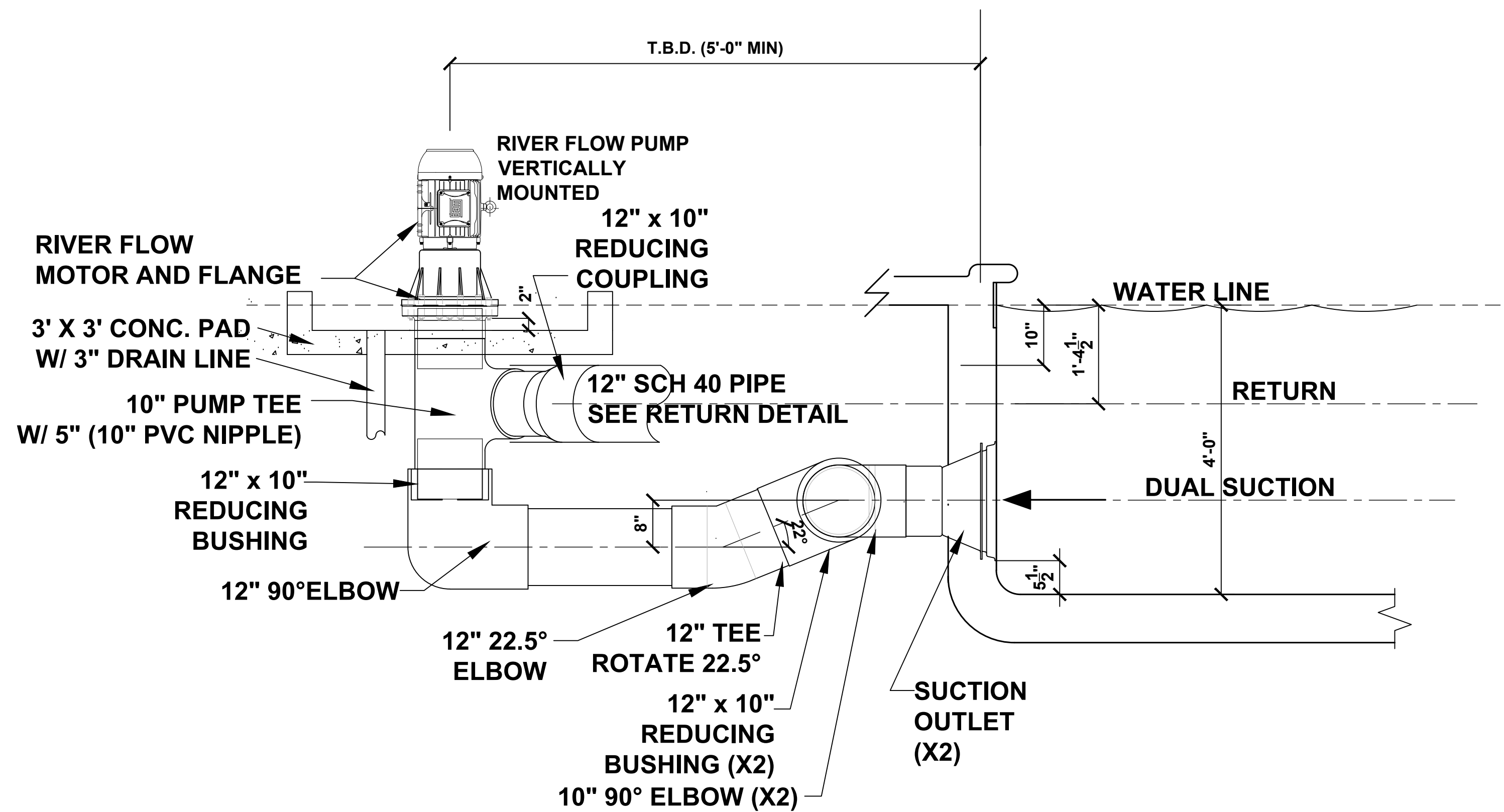
SHEET TITLE:
PUMP LAYOUT

PROJECT NAME:
**SYLVAN / PICKETT
RIVERFLOW PUMP
4FT DEEP LAZY RIVER**

888-443-4113 Toll Free
954-889-0311 Direct
954-827-2800 Fax
"Your Moving Water Solution"
& Manufacturer of VGB Grates
www.current-systems.com



REVISION DATE(S)	
▲	
▲	
▲	
▲	
JOB #:	
SCALE:	AS NOTED
CHECKED BY:	
DRAWN BY:	MCK
	08 / 25 / 2020
SHEET NO.:	2 OF 5



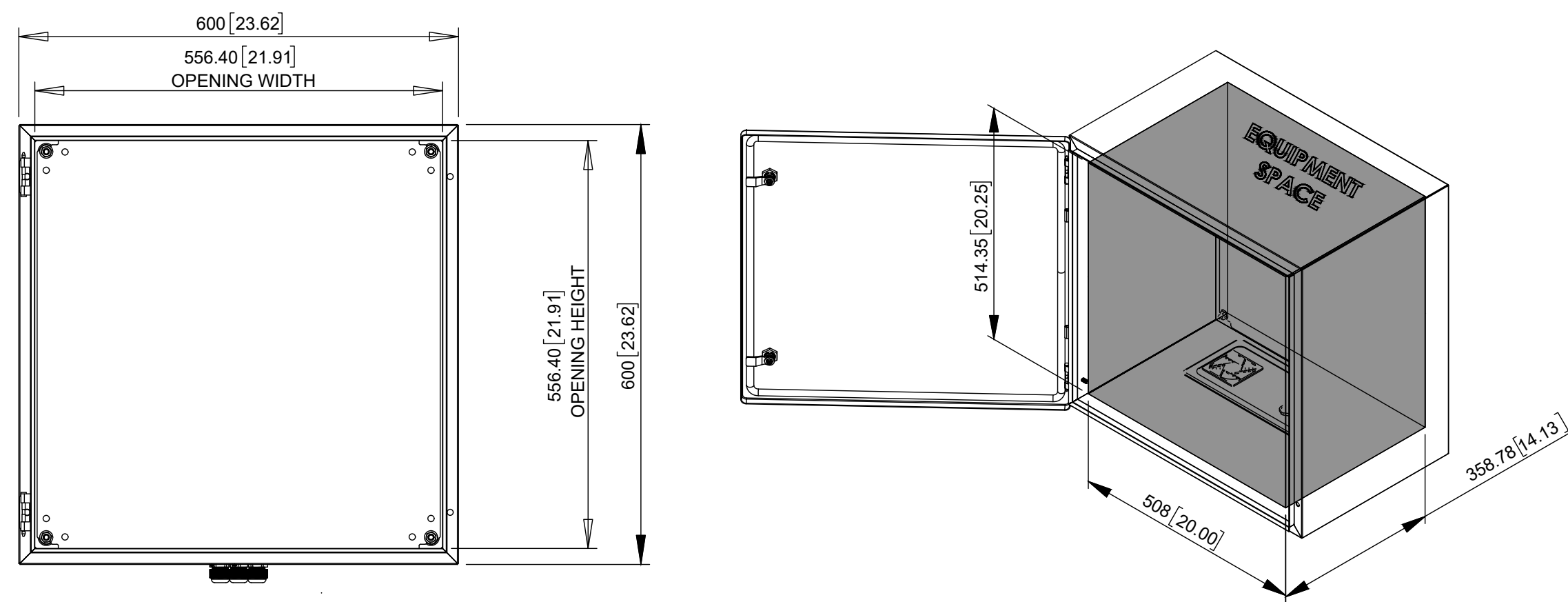
SHEET TITLE:
SYSTEM DETAILS (1)

PROJECT NAME:
SYLVAN / PICKETT
RIVERFLOW PUMP
4FT DEEP LAZY RIVER

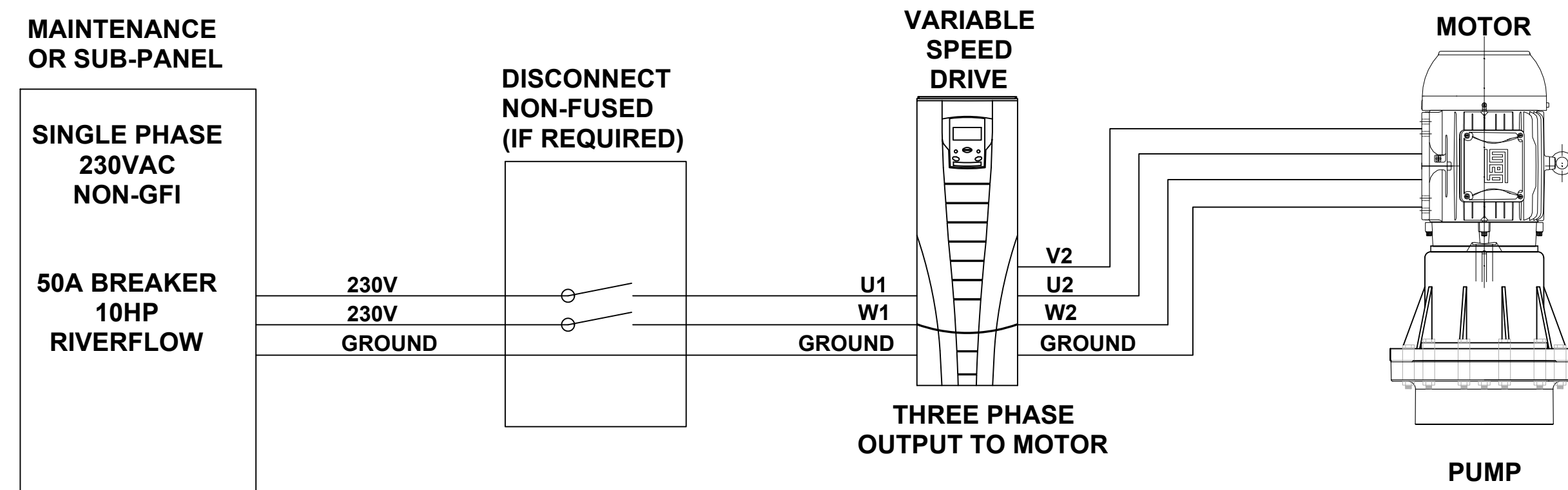
888-443-4113 Toll Free
954-889-0311 Direct
954-827-2800 Fax
"Your Moving Water Solution"
& Manufacturer of VGB Grates
www.current-systems.com



REVISION DATE(S)	
JOB #	
SCALE	AS NOTED
CHECKED BY:	
DRAWN BY:	MCK
	08 / 25 / 2020
SHEET NO.:	3 OF 5



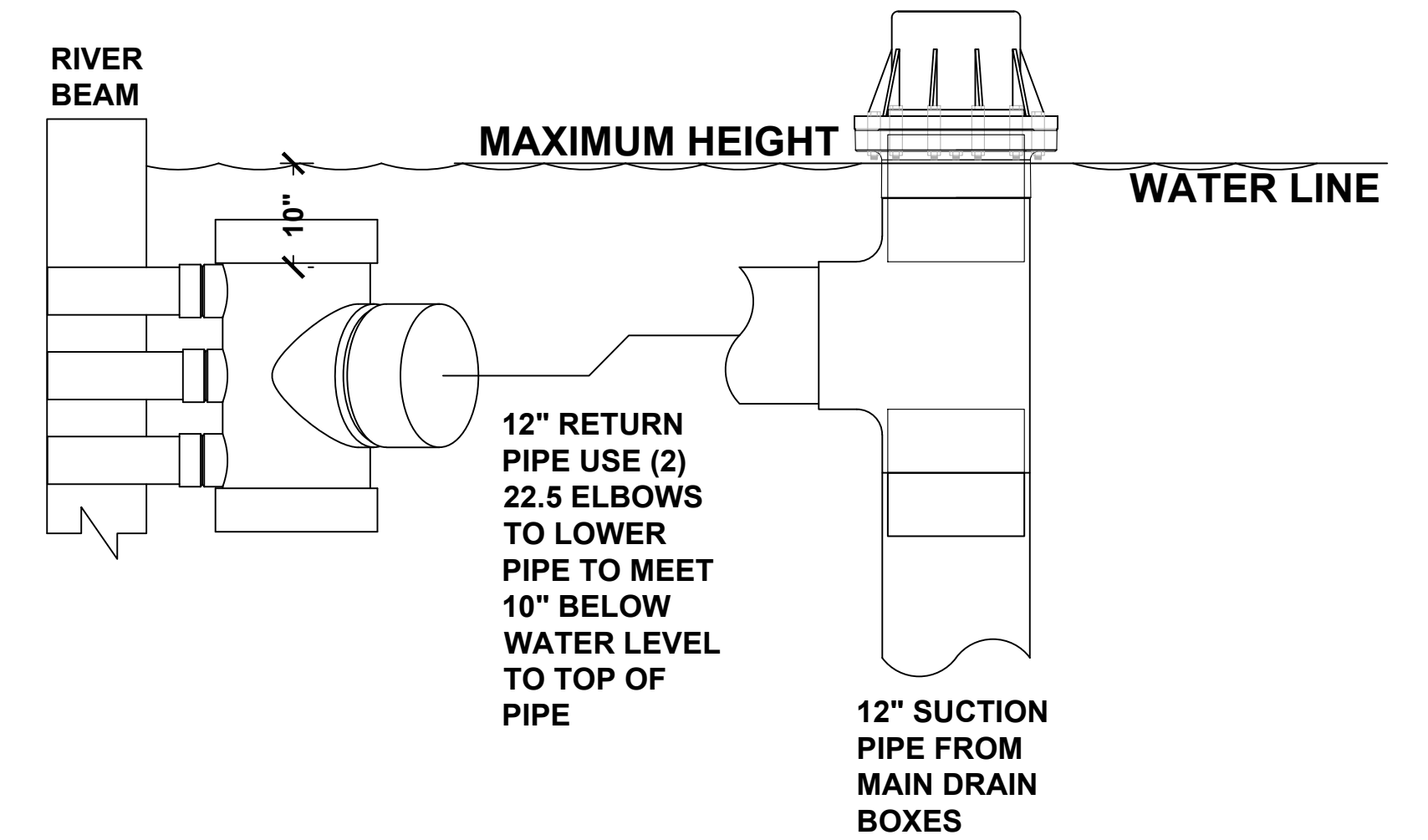
VFD PROTECTIVE COVER
SCALE N.T.S.



SINGLE PHASE TO THREE PHASE WIRING DIAGRAM

CRITICAL NOTE:
THIS SYSTEM IS A FLOODED SUCTION SYSTEM. TO MAINTAIN FLOODED SUCTION PUMP INSTALLATION MUST ADHERE TO MAXIMUM HEIGHT IN RELATION TO WATER LINE.

VERTICAL INSTALLATION:
PUMP FLANGE GASKET MUST MEET MAXIMUM HEIGHT AT WATER LINE OR LOWER. PIPE FITTINGS ARE REQUIRED TO MAINTAIN RETURN @ 10" BELOW WATER LEVEL. REFER TO SECTIONS AND PLANS FOR PUMP ELEVATION AND REQUIRED FITTINGS AS PER PROJECT APPLICATION.

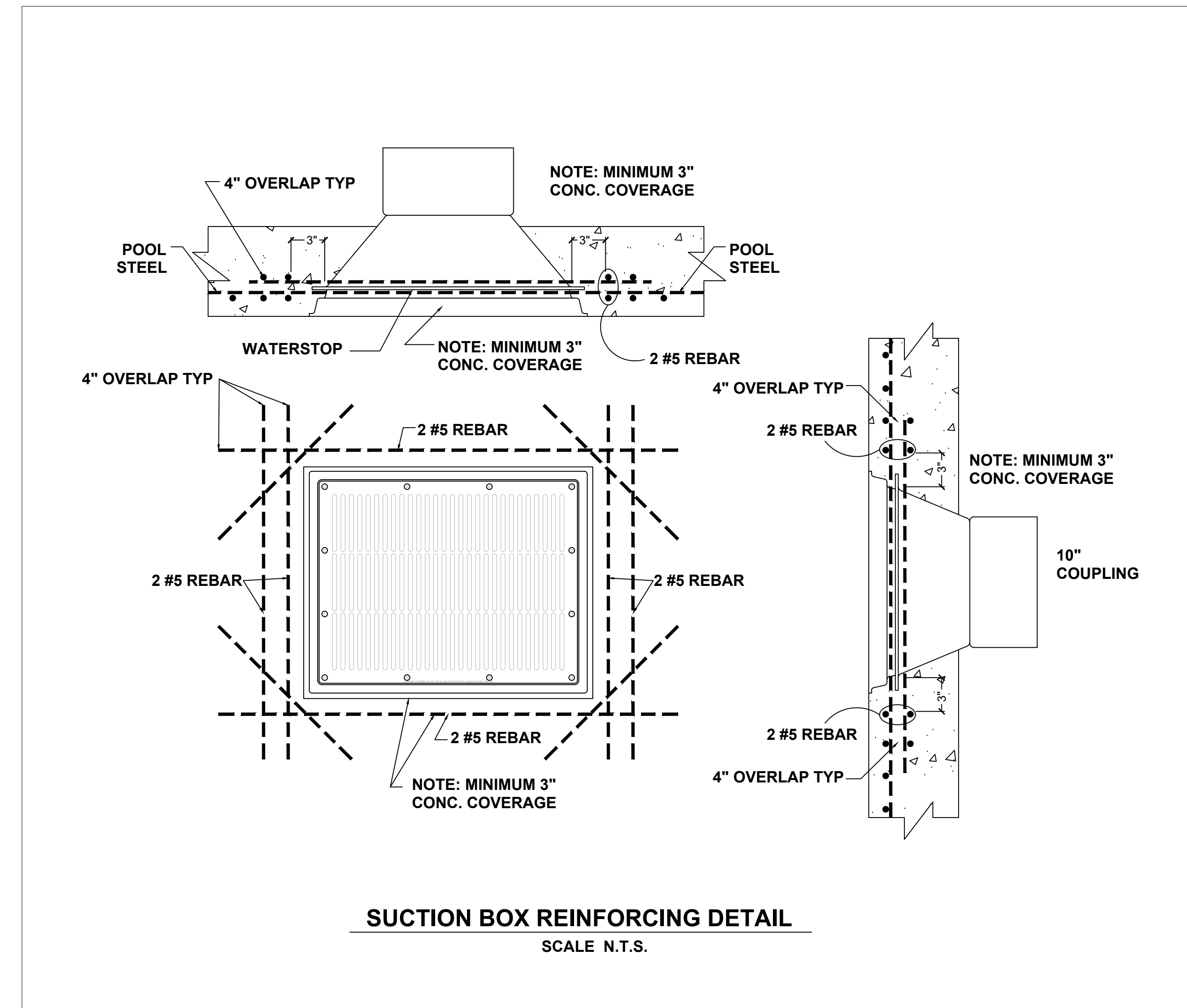
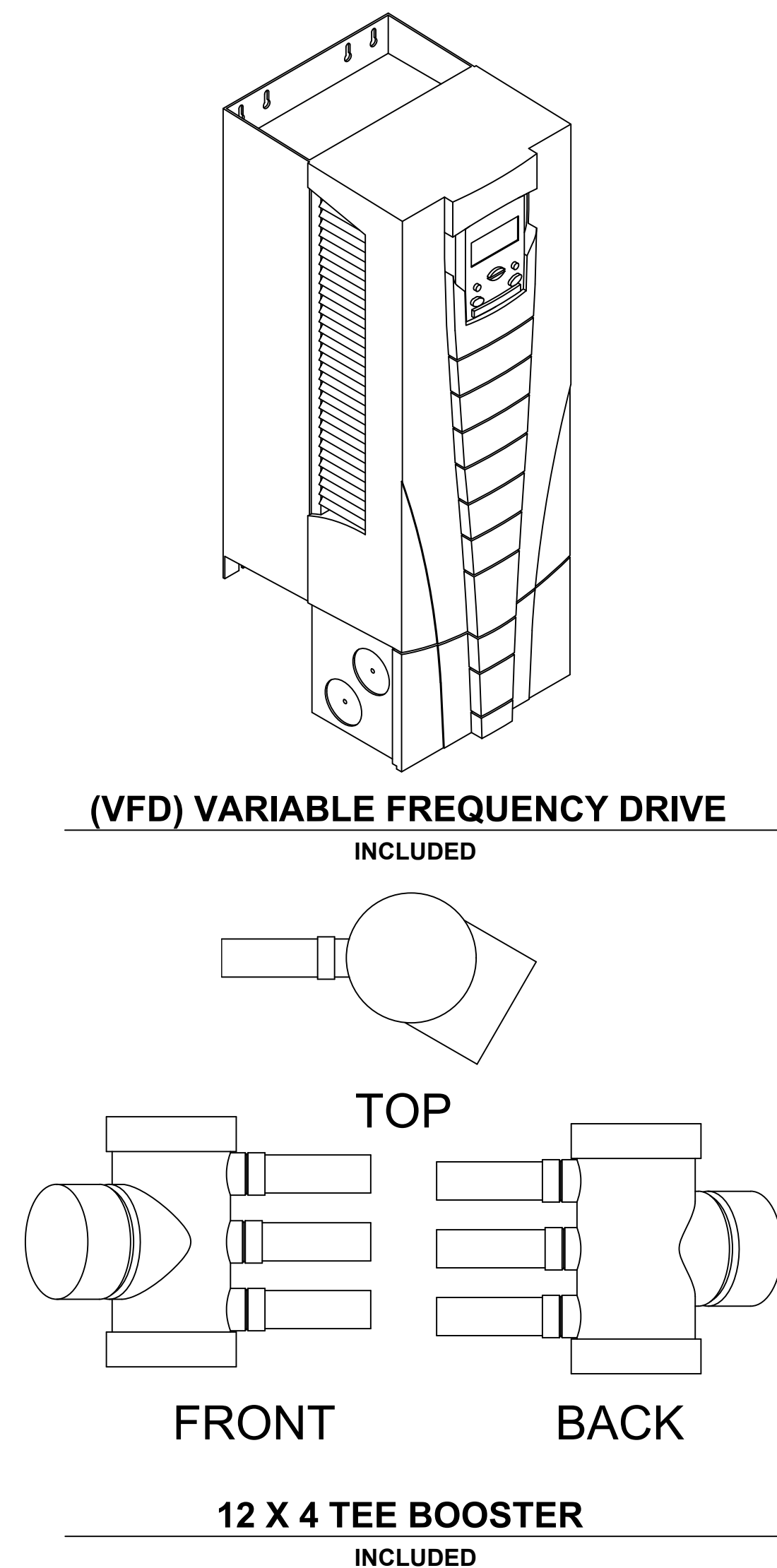


VERTICAL PUMP INSTALLATION
SCALE N.T.S.

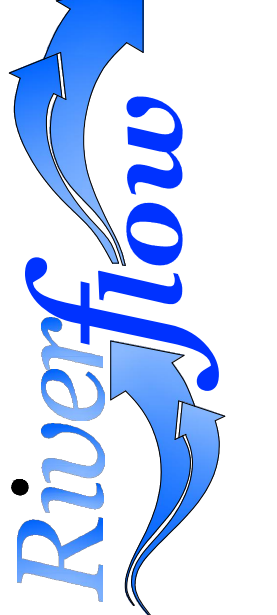
PARTS LIST: LAZY RIVER SYSTEM		
	1 x	10HP PUMP MOTOR
	1 x	RIVERFLOW PUMP
	2 x	DUAL SUCTION BOX
	1 x	12 X 4 TEE BOOSTER
	1 x	(VFD) VARIABLE FREQUENCY DRIVE
	1 x	(VFD) VARIABLE FREQUENCY DRIVE WEATHER PROOF COVER
	3 x	12" 90° ELBOW
	3x	12" 22.5° ELBOW
	1x	12" X 10" RED. COUPLING
	1 x	12" TEE
	3 x	12" X 10" REDUCING BUSHING

BOX DENOTES COMPONENTS INCLUDED IN RIVERFLOW SYSTEM

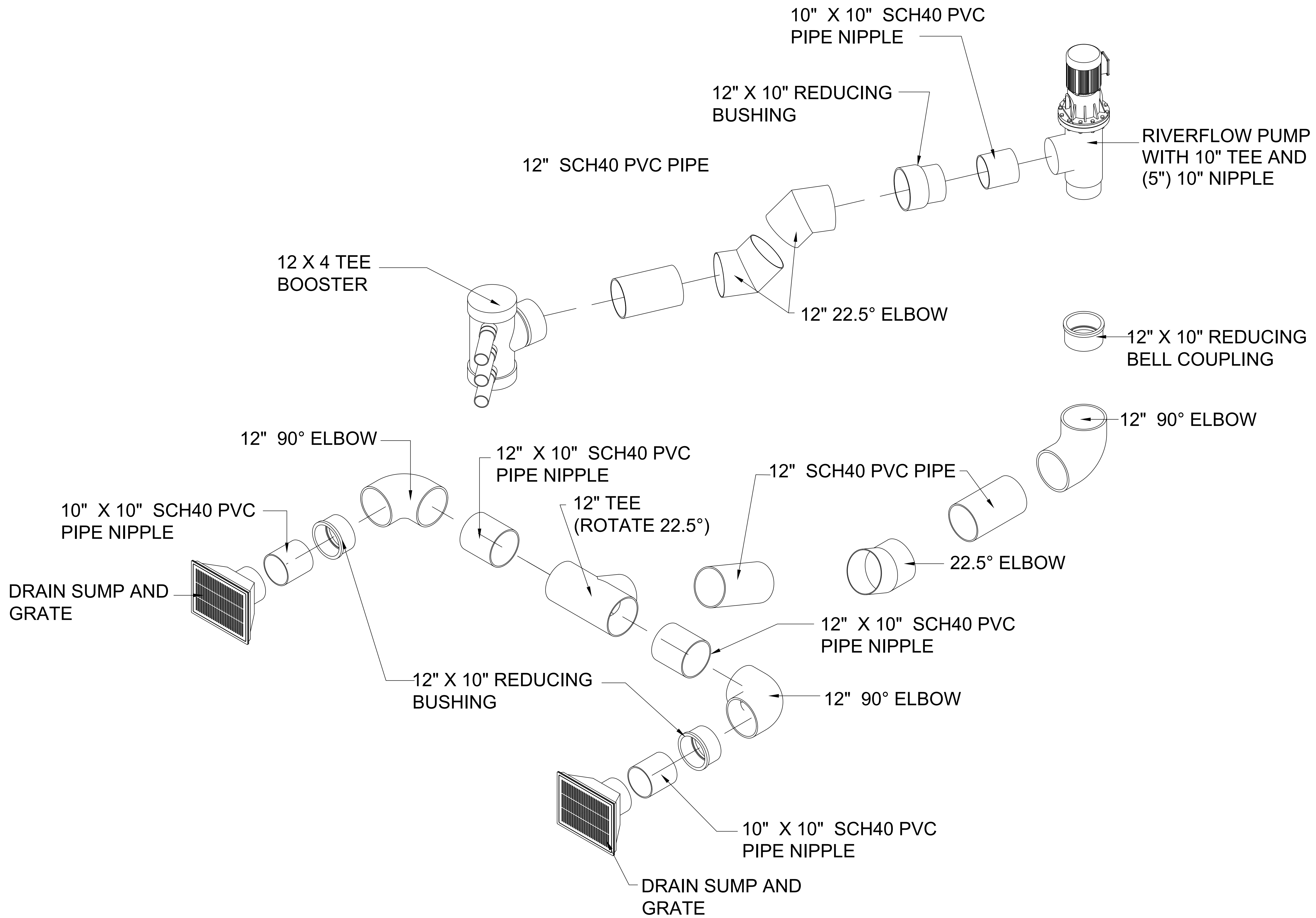
ADDITIONAL REQUIRED ITEMS NOT INCLUDED



SUCTION BOX REINFORCING DETAIL
SCALE N.T.S.



REVISION DATE(S)	
JOB #	
SCALE	AS NOTED
CHECKED BY:	
DRAWN BY:	MCK
	08 / 25 / 2020
SHEET NO.:	4 OF 5



SHEET TITLE
SYSTEM EXPLODED
VIEW

PROJECT NAME
SYLVAN / PICKETT
RIVERFLOW PUMP
4FT DEEP LAZY RIVER

888-443-4113 Toll Free
954-889-0311 Direct
954-827-2800 Fax
"Your Moving Water Solution"
& Manufacturer of VGB Grates
www.current-systems.com



REVISION DATE(S)	
▲	
▲	
▲	
▲	
JOB #	
SCALE	AS NOTED
CHECKED BY:	
DRAWN BY:	MCK
	08 / 25 / 2020
SHEET NO.:	5 OF 5