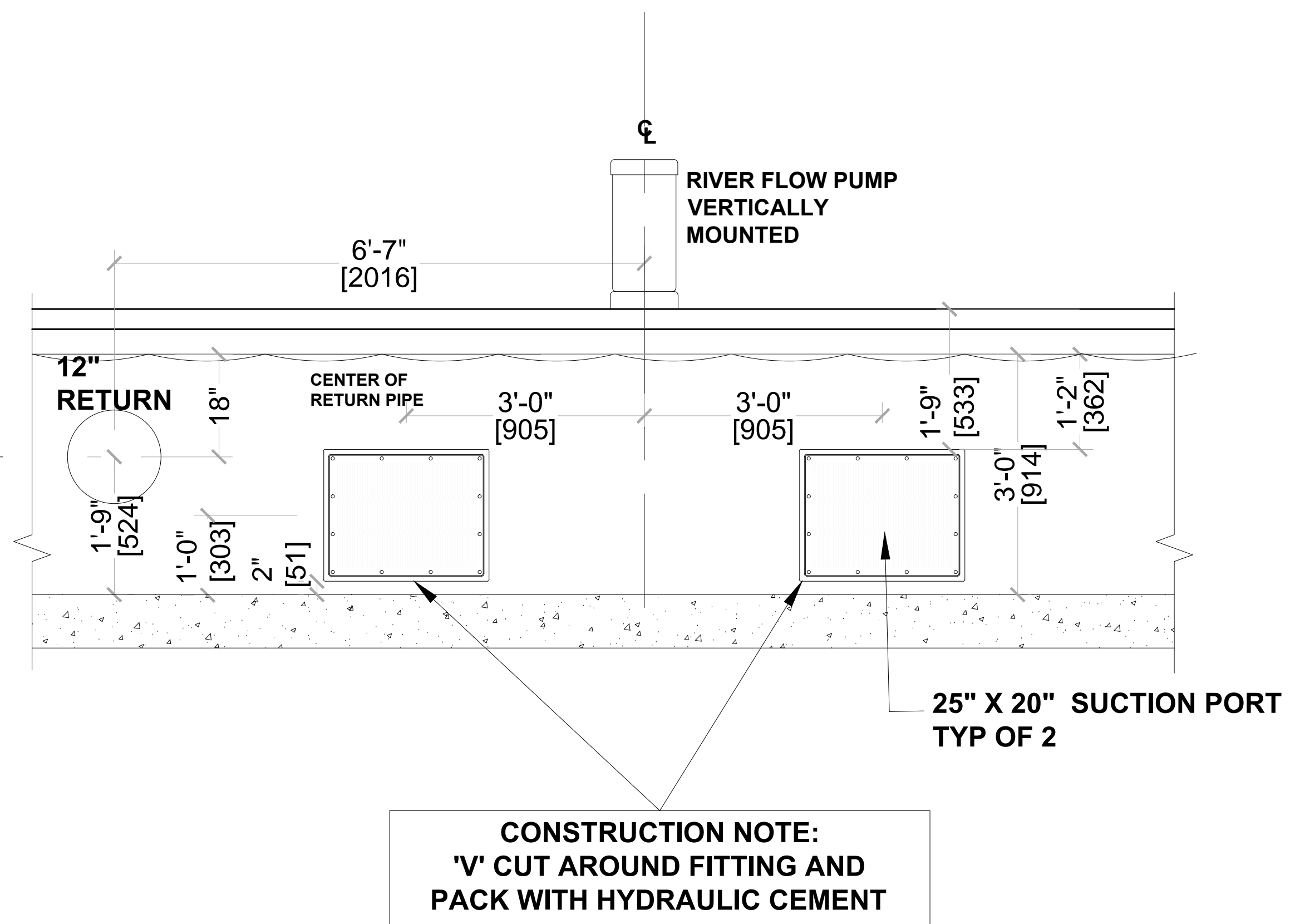


LAZY RIVER SYSTEM SIDE VIEW
SCALE 3/4" = 1'-0"



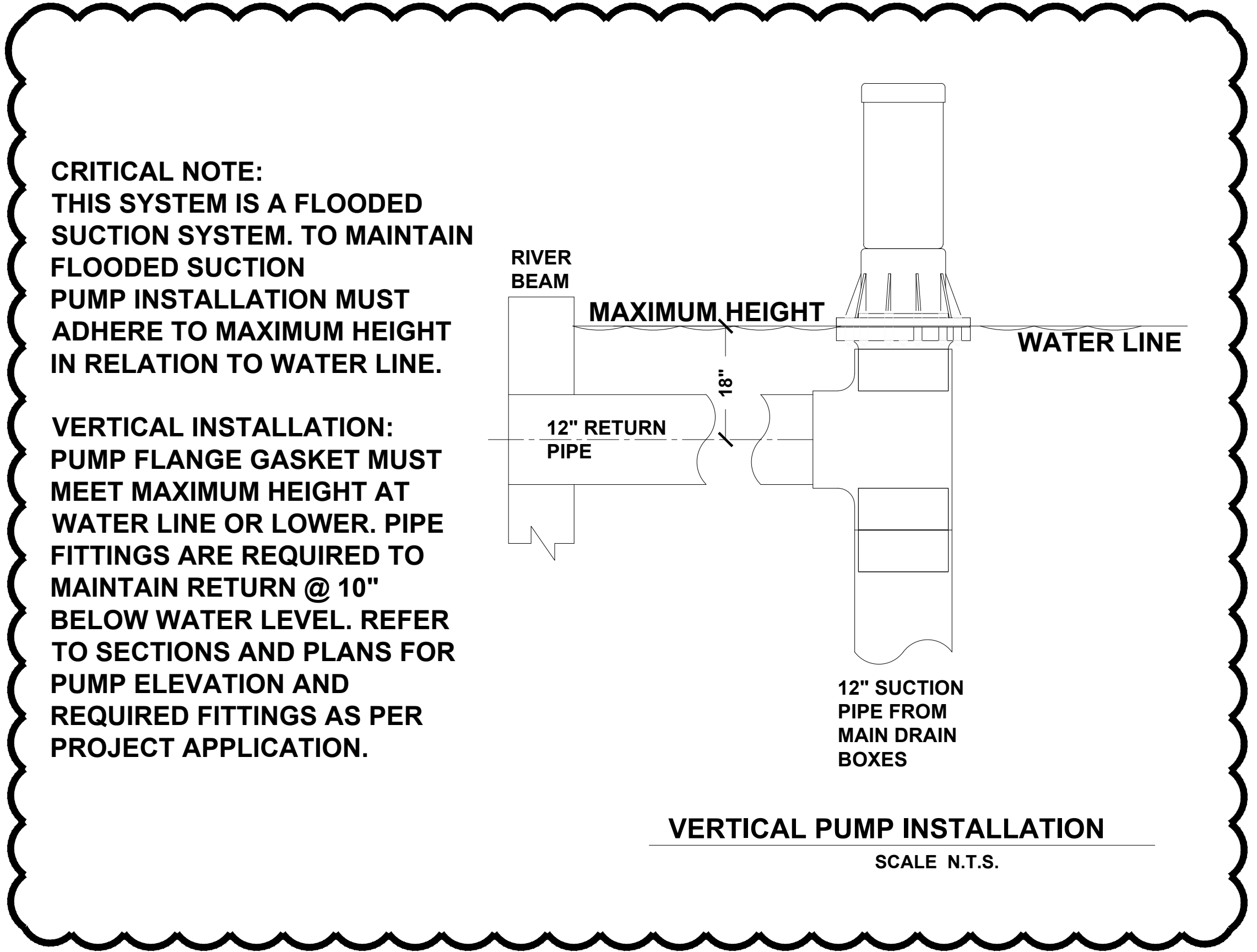
LAZY RIVER SYSTEM SUCTION AND RETURN DETAIL
SCALE 3/4" = 1'-0"

PARTS LIST: LAZY RIVER SYSTEM

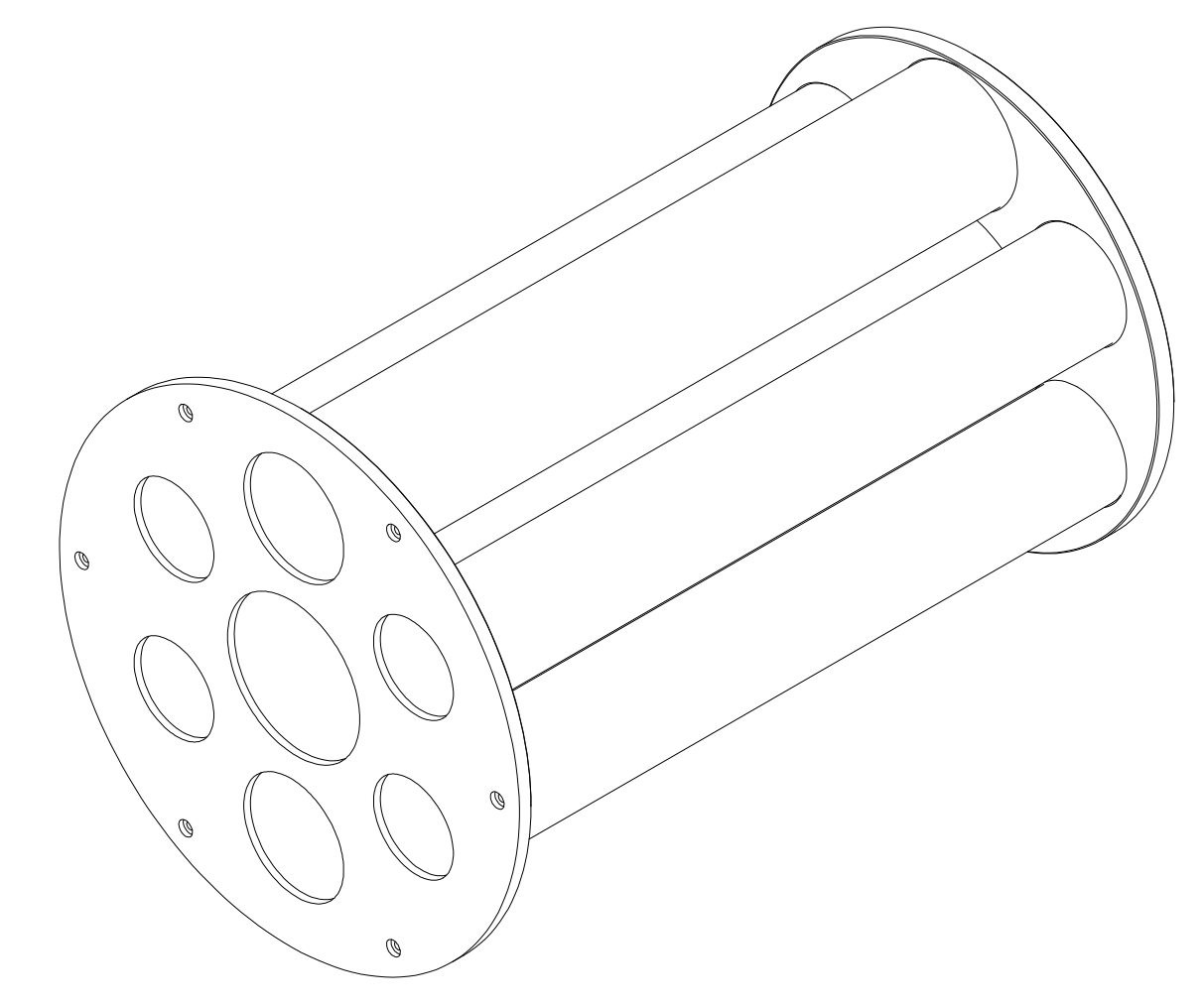
	1 x	RIVERFLOW PUMP
	2 x	DUAL SUCTION BOX
	1 x	ACCELERATOR NOZZLE
	2 x	10" 90° ELBOW
	1 x	12" 45° ELBOW
	1 x	12" TEE
	1 x	12" 90° ELBOW
	3 x	12" X 10" REDUCING COUPLING (BELL)
	1 x	12" X 10" REDUCING BUSHING

BOX DENOTES COMPONENTS INCLUDED IN RIVERFLOW SYSTEM

ADDITIONAL REQUIRED ITEMS NOT INCLUDED



VERTICAL PUMP INSTALLATION
SCALE N.T.S.



ACCELERATOR NOZZLE INSERT
SCALE N.T.S.



REVISION DATE(S)	
▲	
▲	
▲	
▲	
JOB #:	
SCALE:	AS NOTED
CHECKED BY:	
DRAWN BY:	MCK
	02 / 24 / 17
SHEET NO.:	3 OF 4

